

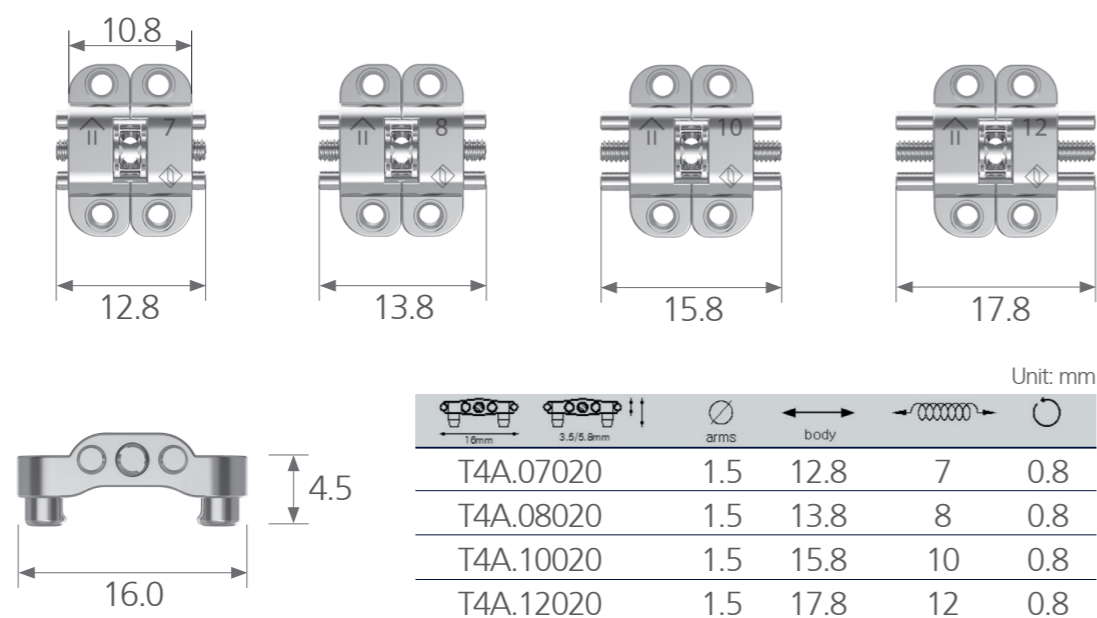
# Absolute Anchorage Devices

## POWER MARPE

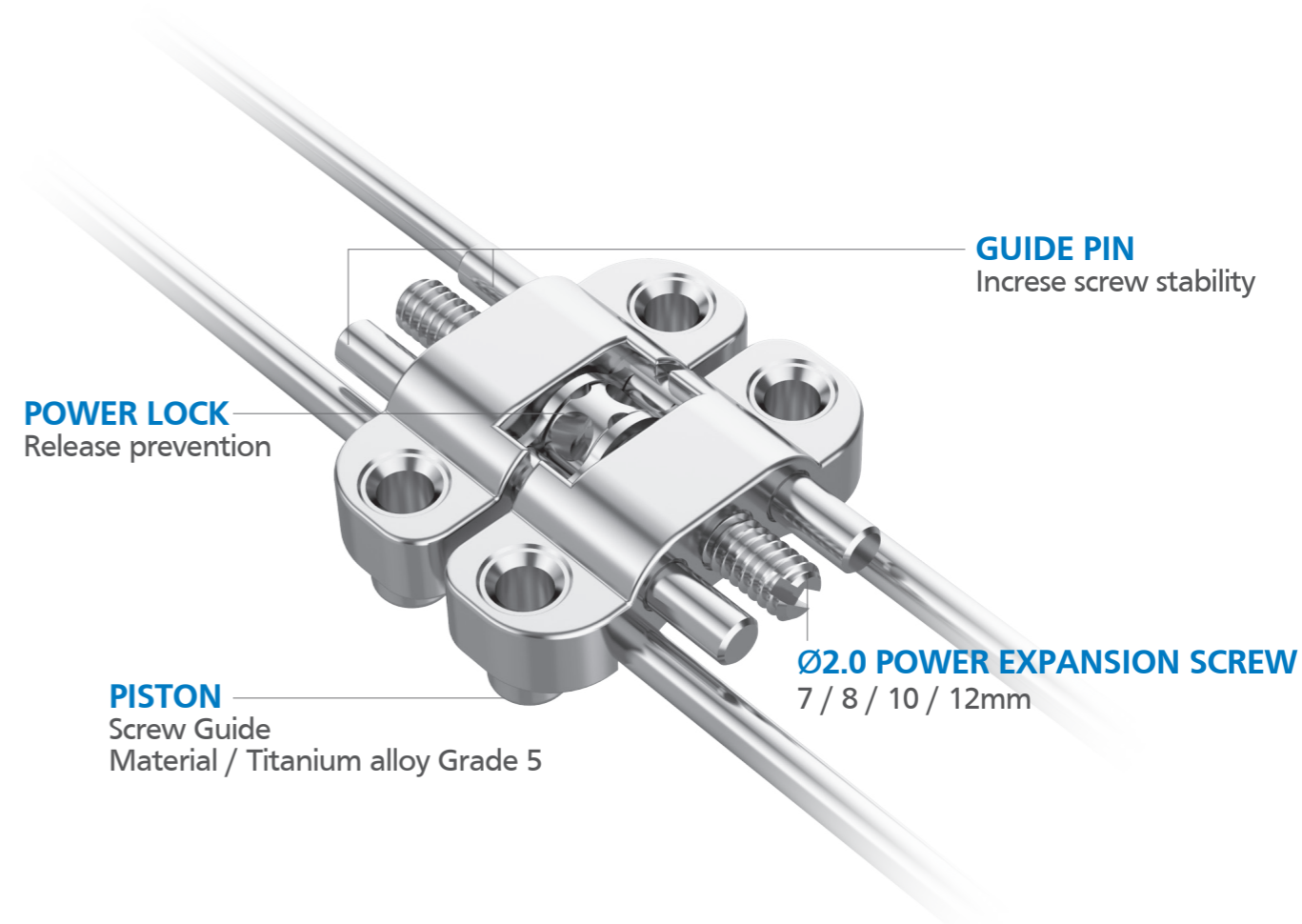
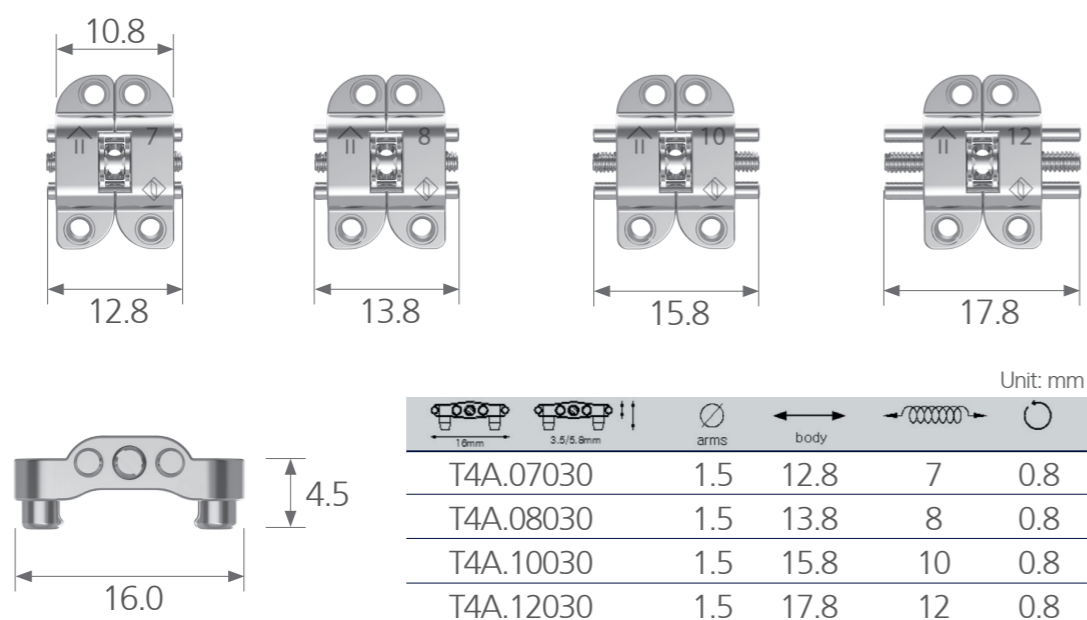
Miniscrew-Assisted Rapid Palatal Expansion Devices

- ✓ Power Piston – Screw supporting & guide
- ✓ Power Lock – Release prevention
- ✓ Two Type Screw Head

### POWER MARPE TYPE 1



### POWER MARPE TYPE 2



## OPTIMUS Ortho System PALATAL TYPE, Sterilized

Alloy Ti6Al4V (ELI)

ZAPP SPECIALTY MATERIALS (Germany)

Round Head Type  
Ø1.8 x 10, 12, 14, 16



Hexa Head Type  
Ø1.8 x 10, 12, 14, 16

